

Service
Service
Service



Service Manual



CONTENTS

Block diagram 1-1
Wiring diagram 2-2

Circuit Diagram

 Main board (amp part) 3-1
 Main board (CD part) 4-1

 Control board 5-1
 Recording board 6-1

Layout Diagram

 Control board 7-1
 Recording board 7-2
 Main board (CD part) 7-3..7-4

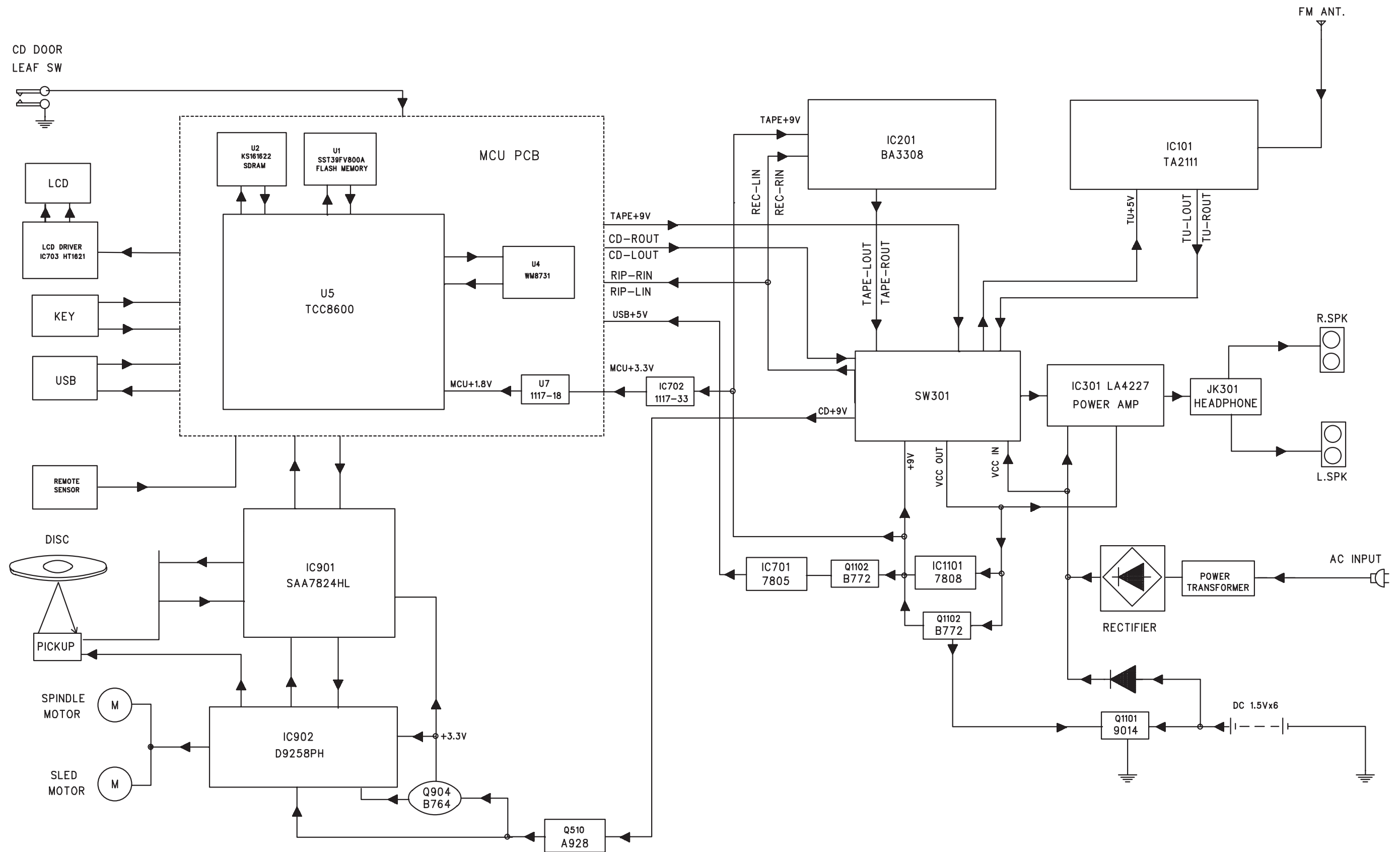
Exploded view diagram 8-1

Service parts list 9-1..9-3

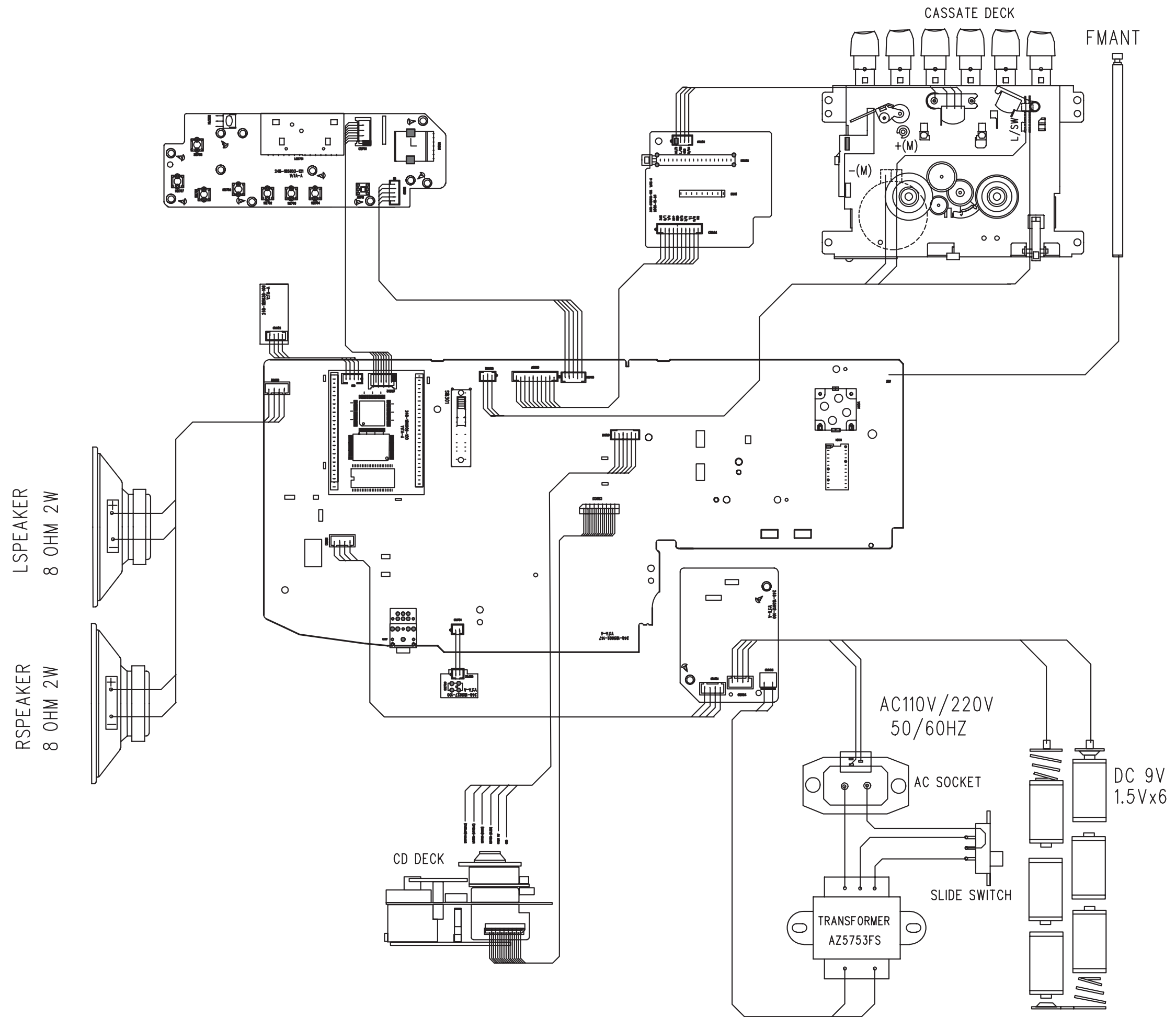
© Copyright 2007 Philips Consumer Electronics B.V. Eindhoven, The Netherlands
All rights reserved. No part of this publication may be reproduced, stored in a retrieval system or transmitted, in any form or by any means, electronic, mechanical, photocopying, or otherwise without the prior permission of Philips.



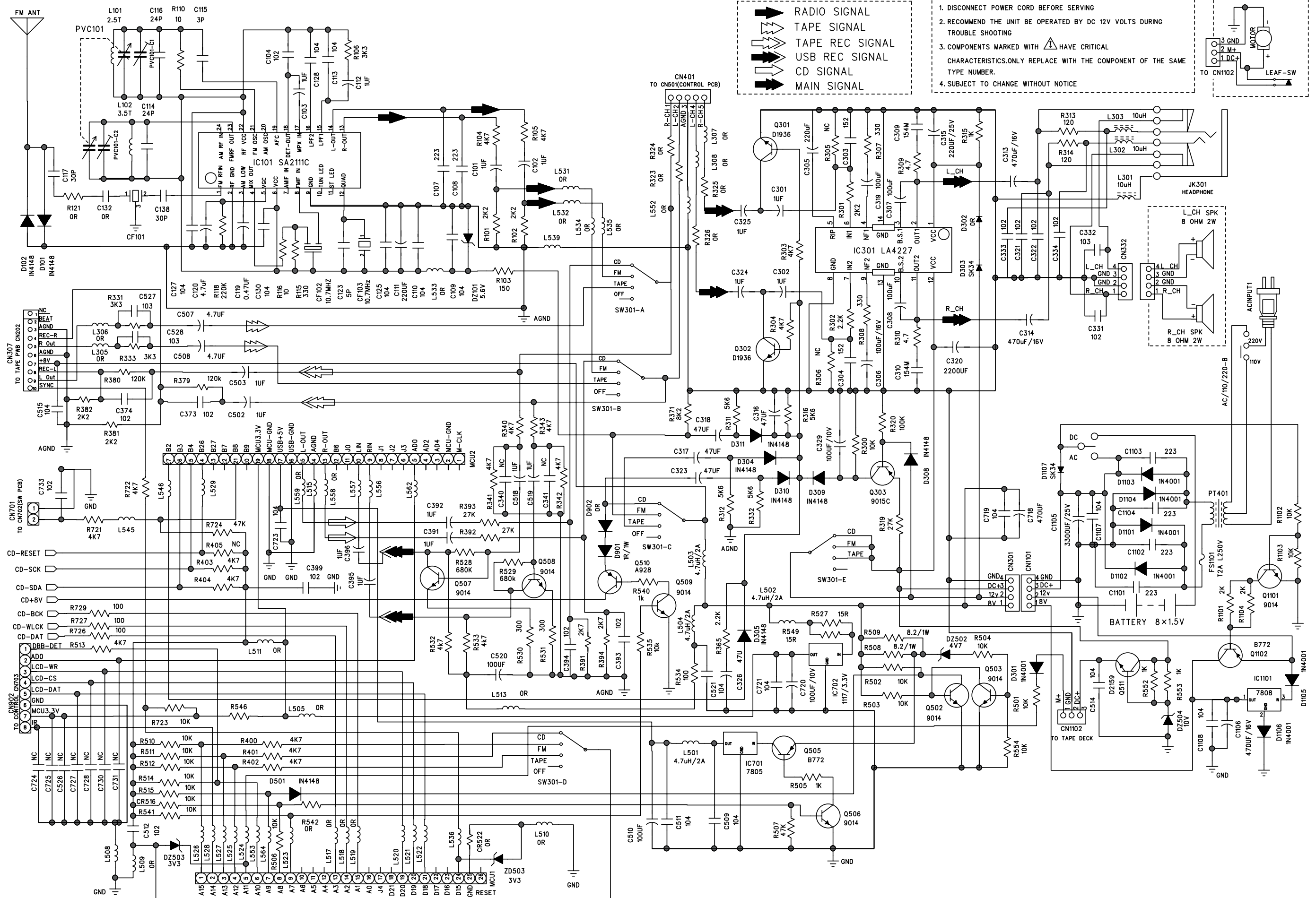
SET BLOCK DIAGRAM



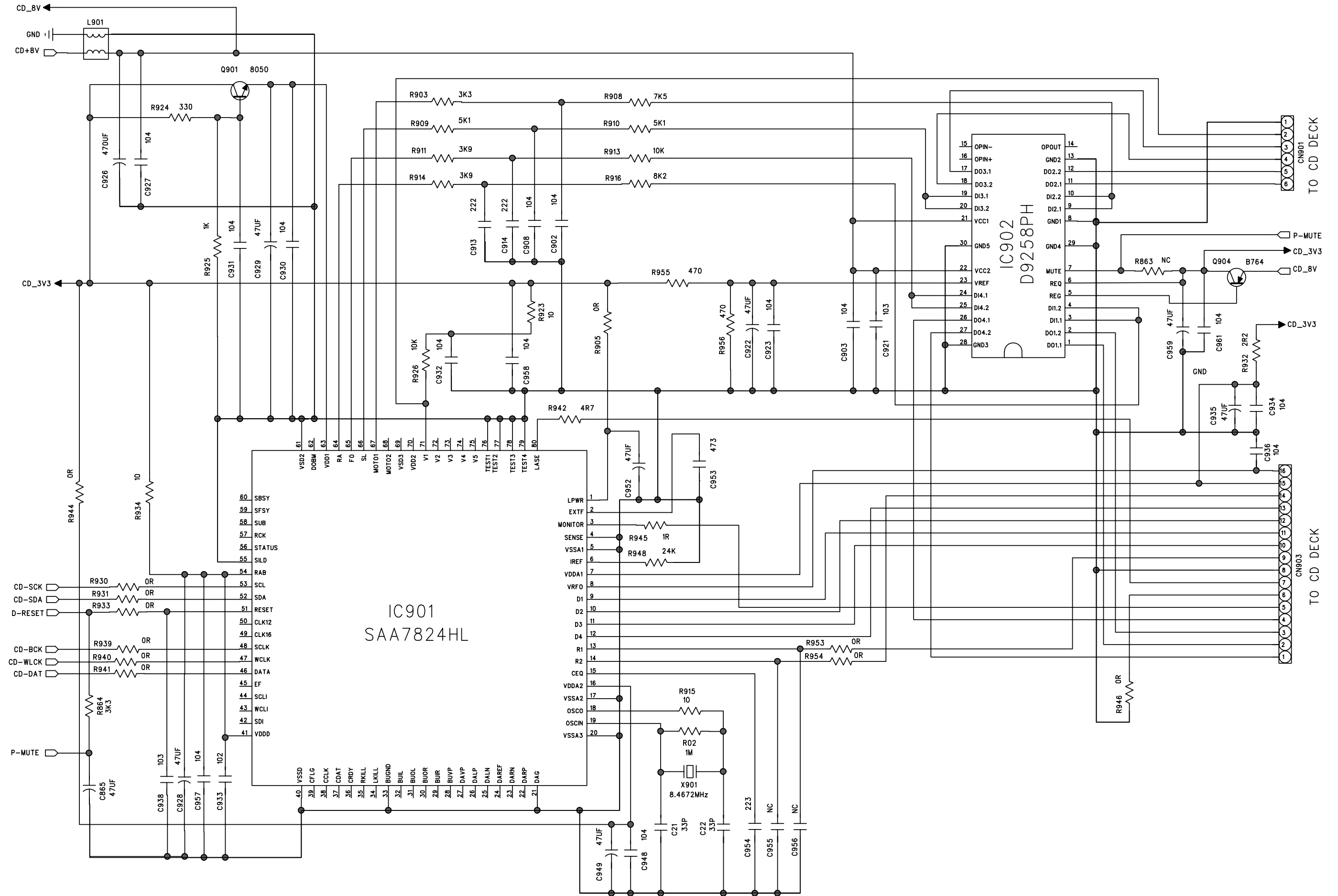
SET WIRING DIAGRAM



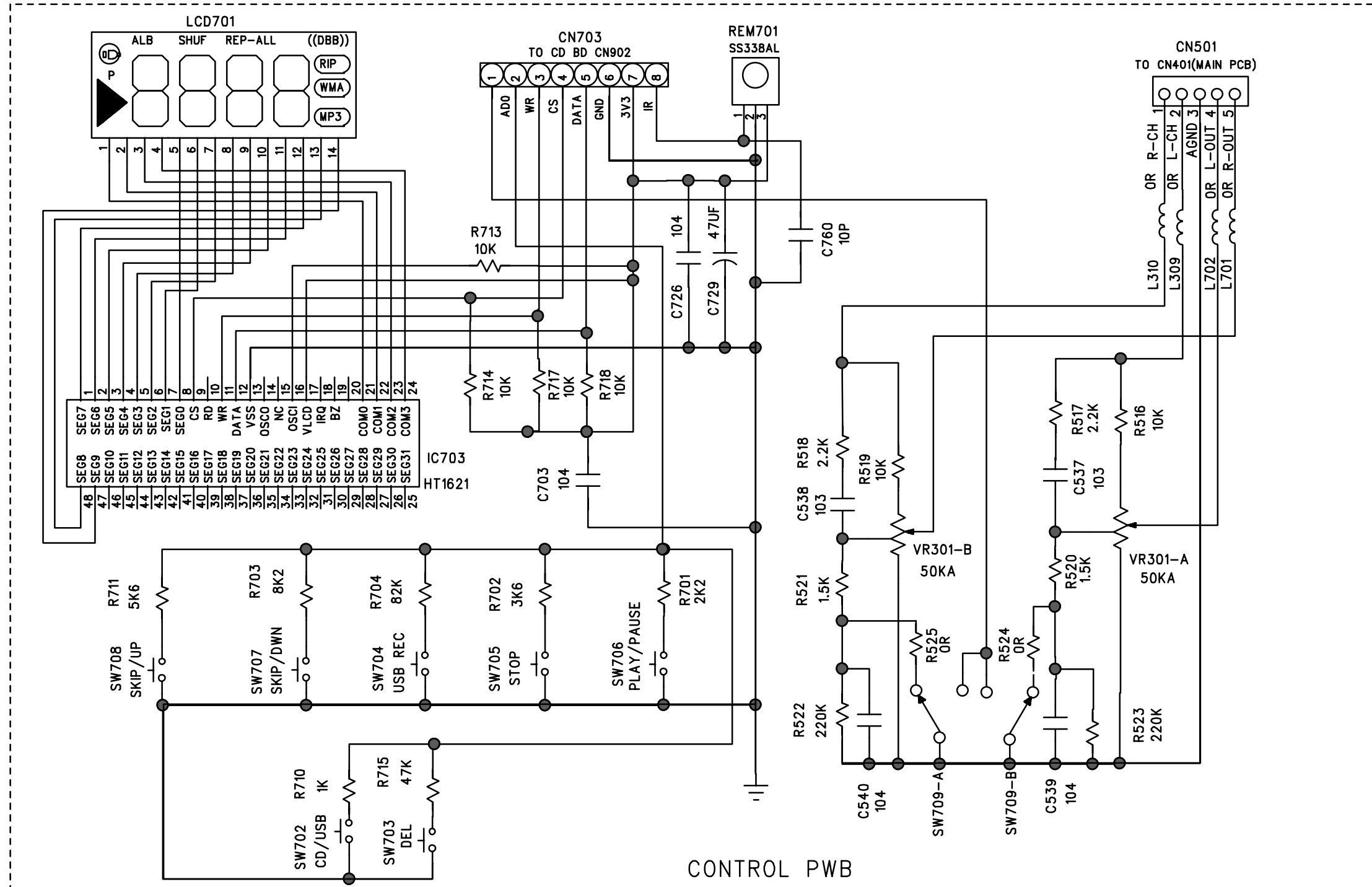
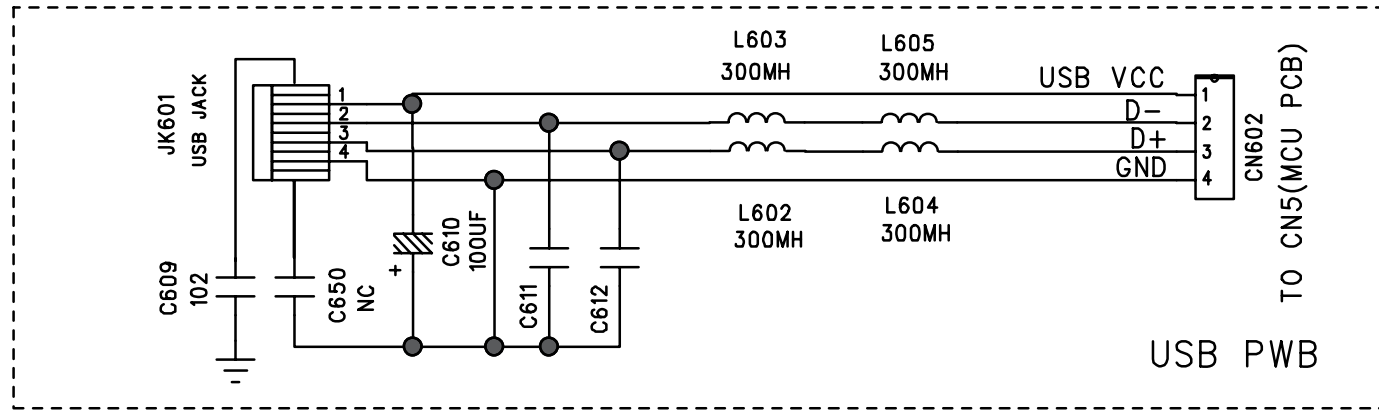
CIRCUIT DIAGRAM - MAIN BOARD AMP PART



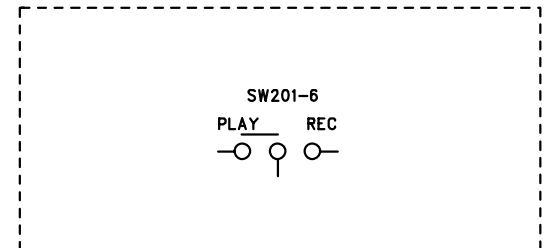
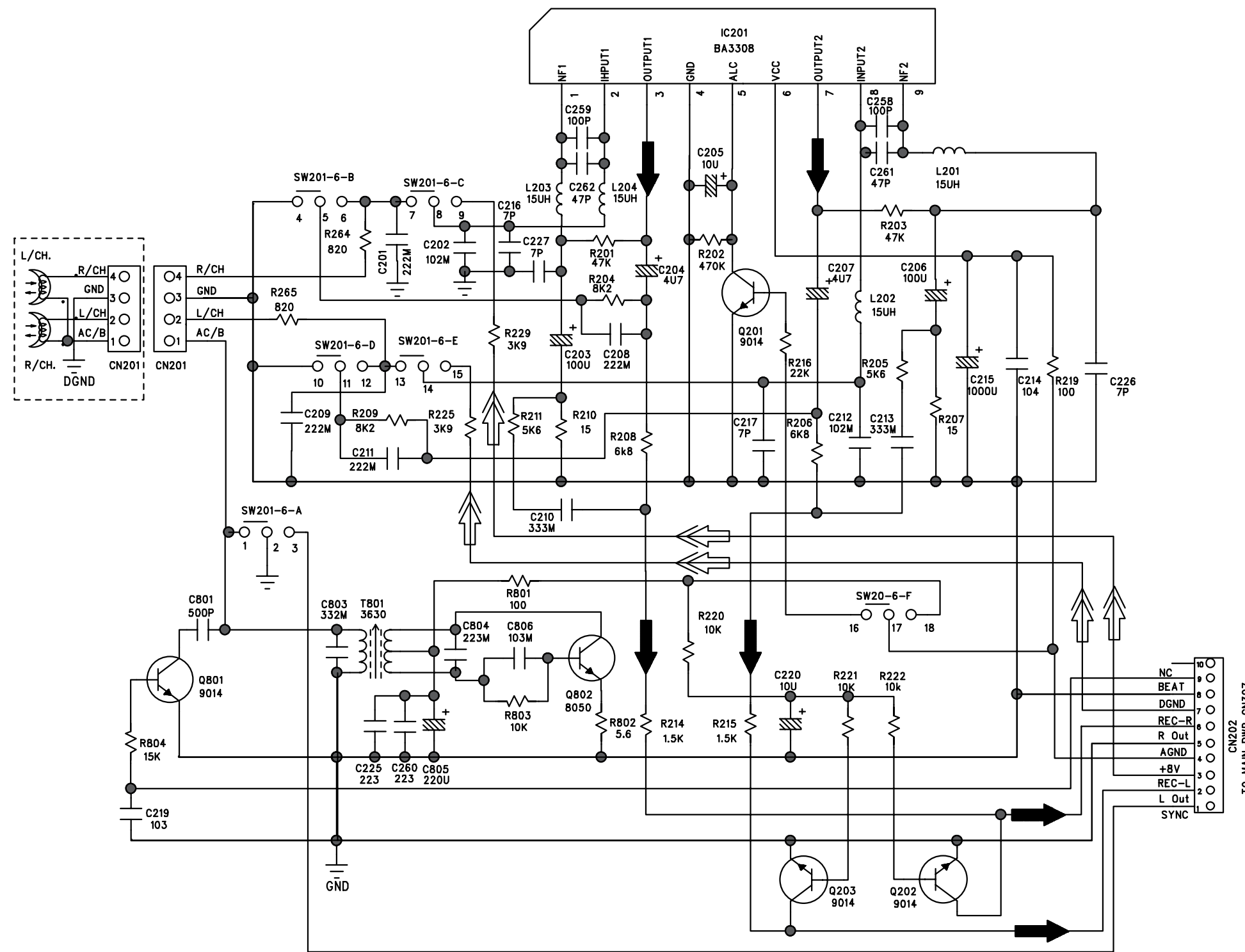
CIRCUIT DIAGRAM - MAIN BOARD CD PART



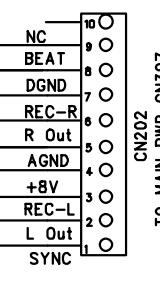
CIRCUIT DIAGRAM - CONTROL BOARD



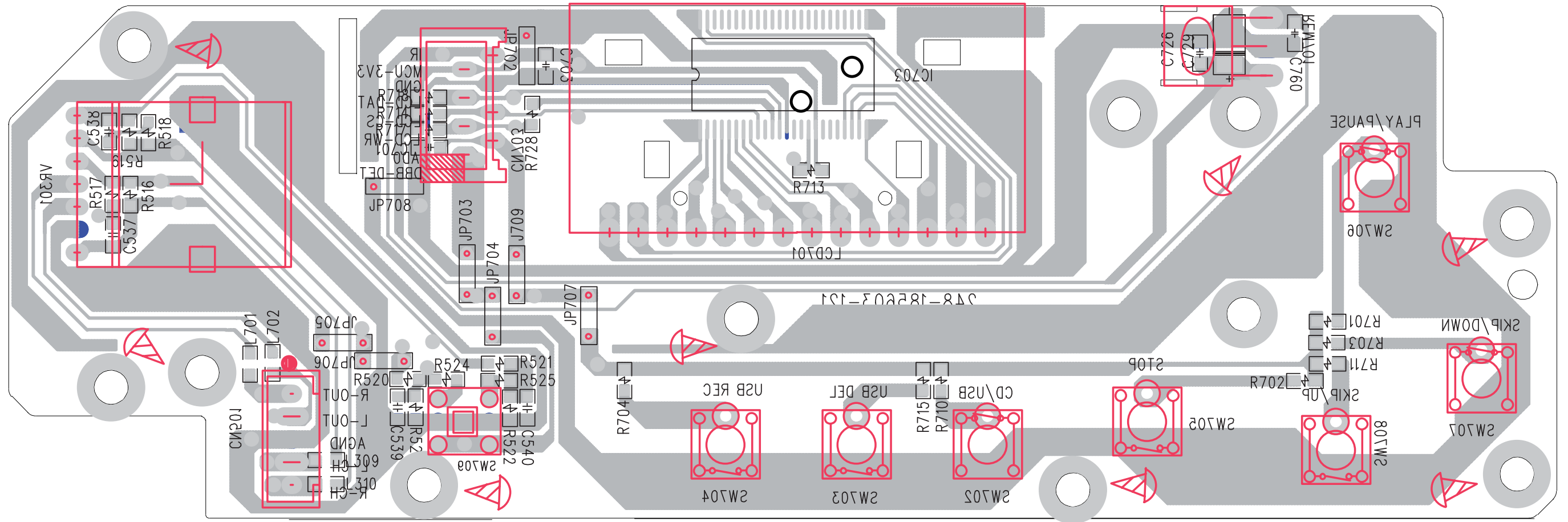
CIRCUIT DIAGARM - RECORDING BOARD



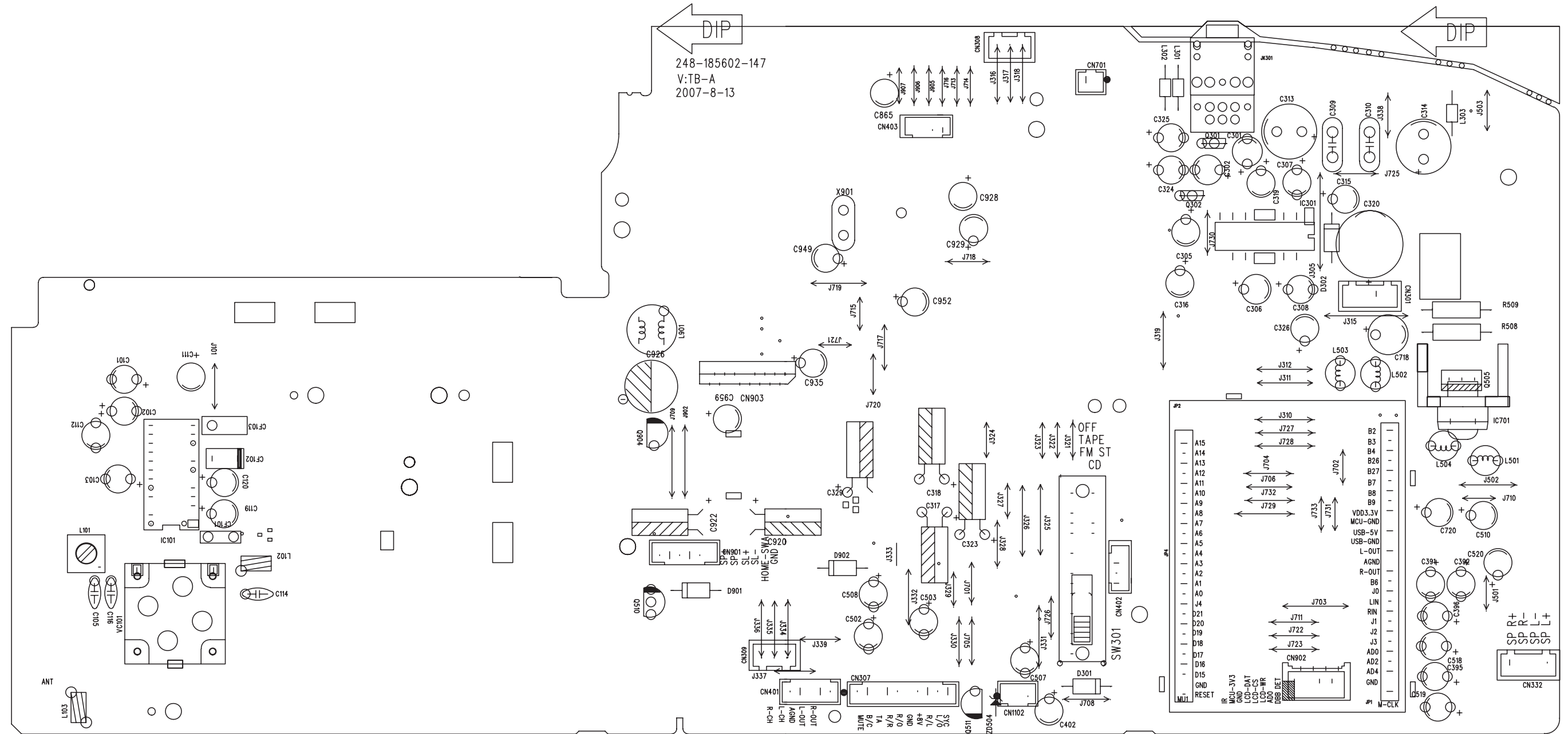
BIAS=80KHz



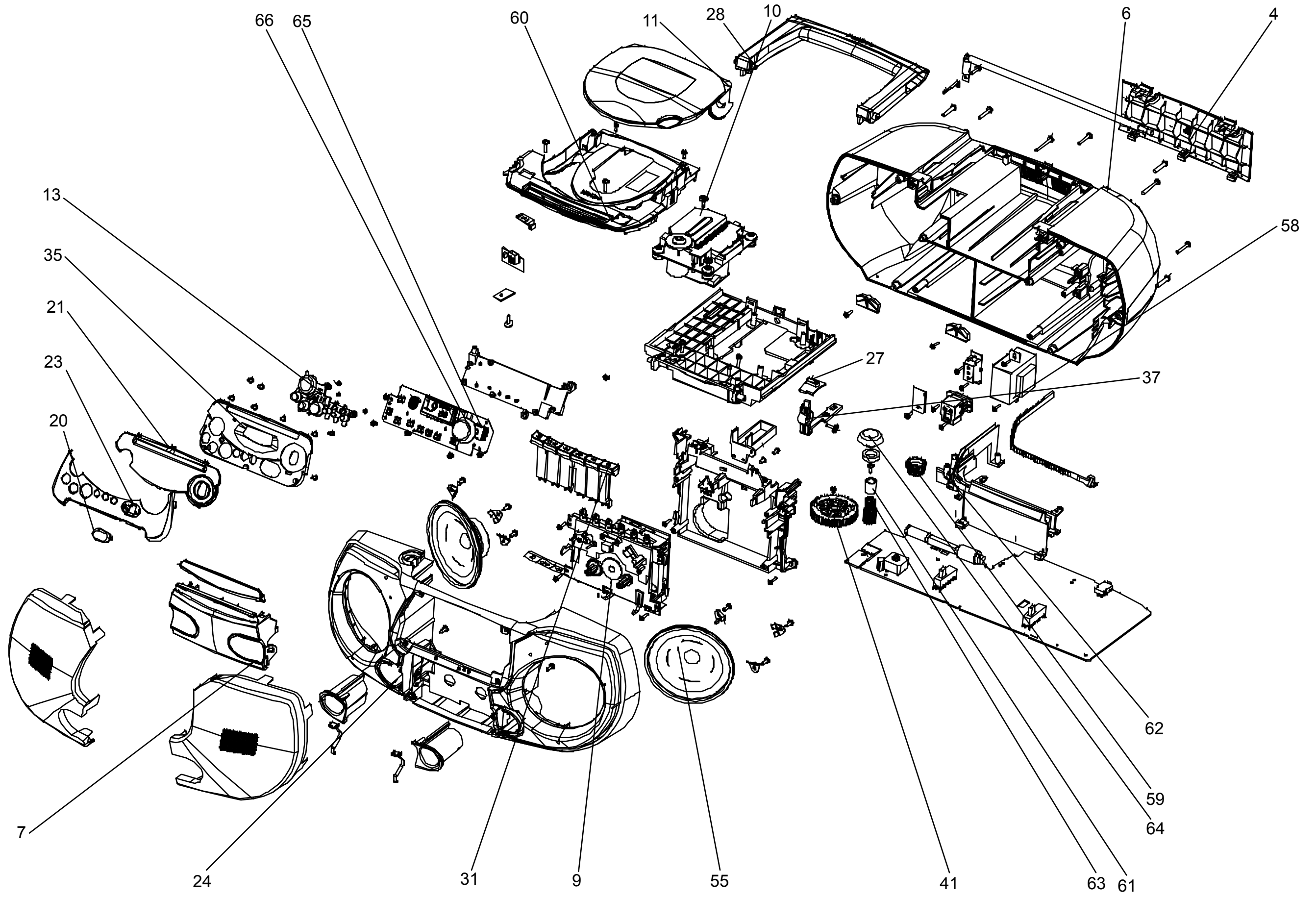
LAYOUT DIAGRAM - CONTROL BOARD



LAYOUT DIAGRAM - MAIN BOARD COMPONENT SIDE VIEW



EXPLODED VIEW DIAGRAM



Mechanical parts list

4	996510008135	BATTERY DOOR
6	996510008136	REAE CABINET
7	996510008137	CASS DOOR
8	996510008051	CASS DOOR PANEL
9	996510008132	CASS DECK JS-21VB8937-SGS
10	996510003632	CD DECK MECHANICM DA11 SANYO
11	996510008052	DOOR CD
13	996510008053	FUNCTION BUTTON L
20	996510008054	DBB KNOB
21	996510008055	DISPLAY LENS
23	996510008056	FKONT PANEL
24	996510008057	FKONT CABINET
27	996510008058	FUNCTION KNOB R
28	996510008059	HANDLE
34	996510008060	LCD BRACKET
35	996510008061	LCD PANEL
37	996510008062	LEVER MODE R
39	996510008063	POINTER
41	996510008064	PVC GEAR
55	996510008131	SPEAKER 4" 8OHM 2W 45
58	996510008130	POWER TF.AZ5753FS
59	996510008065	TRANSMISSION GEAR
60	996510008066	TRAY CD
61	996510008067	TUNING ADAPTOR
62	996510008068	TUNING BRACKET
63	996510008069	TUNING GEAR
64	996510008070	TUNING KNOB
66	996510008071	VOLUME KNOB
90	996510008078	CD DOOR GEAR HOLDER
91	996510008079	CD DOOR GEAR
92	996510008080	CASS DOOR SPRING
93	996510008081	CD DOOR SPRING
31a	996510008072	Cass Key Pause
31b	996510008073	Cass Key Stop
31c	996510008074	Cass Key Rew
31d	996510008075	Cass Key F
31e	996510008076	Cass Key Paly
31f	996510008077	Cass Key Rec

ACCESSORIES

ACC1	996510008129	POWER CORD SET (BLACK) VDE PHI
ACC2	996510008133	REMOTE CONTROL 12KEYS AZ1856

Note: Only these parts mentioned in the list are normal service parts.

ELECTRICAL PARTSLIST**- MAIN BAORD -**

CF101	996510008100	BAND PASS FILTER GFMB3 75OHM
CF102	996510008099	CERAMIC FILTER 10.7 MHZ 3 PINS
CF103	994000005015	CER. FILTER 10.7 MCI-A 2P
IC101	996510008101	I.C. TOSHIBA TA2111
X901	996510008110	CRYSTAL 8.4672 MHZ 2P
IC301	996510008102	I.C. SANYO LA-4227
IC701	996510008103	I.C. KA7805 POSITIVE VOLTAGE
IC702	996510008113	SMT I.C APL1117/3.3V
IC901	996510008104	SMT I.C. SAA7824HL
IC902	996510008105	SMT I.C CHMC D9258PH
JK301	996510008112	STEREO PHONE JACK EJ-3511-202
L101	996510008106	FTZ COIL BH-8165572 1/4T 7mm
L102	996510008107	FM COIL 3.5T 4.5 x 0.7 mm
MAI	996510008111	FFC CABLE 16P "K" 1.0mm 90mm
Q301	996510008098	TRANSISTOR 2SD-1936-S-AC (SANY
Q302	996510008098	TRANSISTOR 2SD-1936-S-AC (SANY
Q505	996510008094	TRANSISTOR B772Y
Q510	996510008096	TRANSISTOR KSA-928A SAMSUNG
Q511	996510008095	TRANSISTOR 2SD-2159E ROHM
Q904	996510008097	TRANSISTOR 2SB-764-D SANYO
SW301	996510008109	SLIDE SW. SS64D01G9 6P4T
VC101	996510008108	TRIMMER 20PF JF443WAB04-A04a

- RECTIFIER BAORD -

FS1101	996510008120	GLASS FUSE 2A 250V 5T
IC1101	996510008119	I.C. KA-7808
Q1102	996510008094	TRANSISTOR B772Y

- RECORDING BAORD -

IC201	994000005043	I.C. BA-3308 P/R HWCAT
SW201	994000001737	RECORDING SW. PS-62D01-S(SH)
SW709	996510008121	MICRO SWITCH DS-21
T801	994000005042	I.F.T. AC BIAS 3630 BLACK

- RECORDING BAORD -

U10	996510008123	SMT I.C. V809R 2.62V
U2	994000002796	I.C. M12L16161A (ESMT)
U4	996510008126	SMT I.C. WM8731
U5	996510008127	SMT IC SST39VF800A-70-4C-EK
U7	996510008124	SMT I.C AMS1117/(SMT-223) 1.8V
U8	996510008128	SMT IC. TCC8600
U9	996510008125	SMT I.C. AM24LC02
Y1	996510008122	CRYSTAL 12 MHZ

ELECTRICAL PARTSLIST**- MCU BAORD -**

U10	996510008123	SMT I.C. V809R 2.62V
U2	994000002796	I.C. M12L16161A (ESMT)
U4	996510008126	SMT I.C. WM8731
U5	996510008127	SMT IC SST39VF800A-70-4C-EK
U7	996510008124	SMT I.C AMS1117/(SMT-223) 1.8V
U8	996510008128	SMT IC. TCC8600
U9	996510008125	SMT I.C. AM24LC02
Y1	996510008122	CRYSTAL 12 MHZ

- CONTROL BAORD -

FFC1	996510008118	FFC CABLE 8PINS 150mm 1.25mm A
IC703	994000005033	IC HT1621B
LCD701	996510008116	LCD DISPLAY 20x40mm 14PINS
SW702	996510008114	TACT SWITCH 2P
SW703	996510008114	TACT SWITCH 2P
SW704	996510008114	TACT SWITCH 2P
SW705	996510008114	TACT SWITCH 2P
SW706	996510008114	TACT SWITCH 2P
SW707	996510008114	TACT SWITCH 2P
SW708	996510008114	TACT SWITCH 2P
SW709	996510008115	PUSH SWITCH PSA-22D02 2P2T
VR301	996510008117	SHAFT VOLUME B50K RK141GTV01-F

Note: Only these parts mentioned in the list are normal service parts.